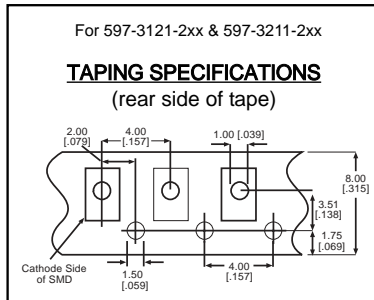
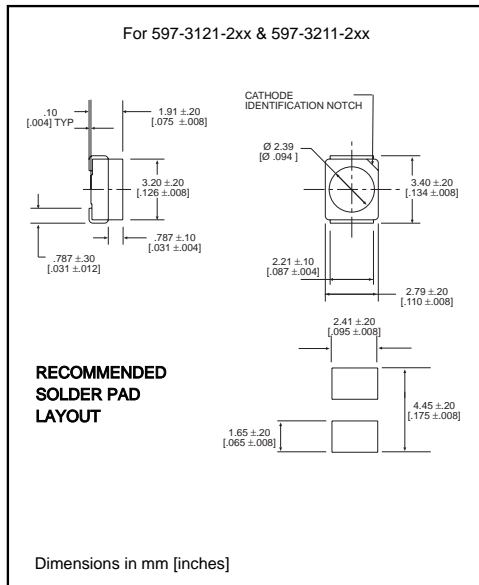


| PART NO.* | COLOR |
|------------------|--------------|
| 597-3001-2xx | Red |
| 597-3121-2xx | AlGaAs Red |
| 597-3211-2xx | Orange |
| 597-3301-2xx | Green |
| 597-3401-2xx | Yellow |

Features

- Compatible with automatic placement equipment
- Compatible with infrared reflow processes
- Packaged on 8mm tape, 7" reels (meets EIA-481-1 standard)
- Helps to eliminate mixed technology PC board processing
- Compatible with Dialight's Optopipe™ Series light pipes



***ORDERING INFORMATION**

597-3xx1-2xx

packaging option

| | |
|----|------------------------|
| 02 | 20 pieces on tape |
| 07 | 7" reel, 2000 pcs/reel |

597-3xx1-2xx

| ABSOLUTE MAXIMUM RATINGS ($T_A=25^\circ\text{C}$) | Red -3001 | AlGaAs Red -3121 | Green -3301 | Orange -3211 | Yellow -3401 |
|---|--|----------------------------|-----------------------|------------------------|------------------------|
| Power Dissipation (mW) | 100 | 100 | 100 | 100 | 60 |
| Forward Current (mA) | 30 | 30 | 30 | 30 | 20 |
| Derating (mA/°C) <i>From 25°C From 55°C</i> | .4 | .66* | .4 | .66* | .25 |
| Peak Current (mA) <i>Pulse width = 100 μs *Pulse width = 10 μs</i> | 120 | 500* | 120 | 500* | 80 |
| Operating Temperature (°C) | -55/+85 | -55/+100 | -55/+85 | -55/+100 | -55/+85 |
| Storage Temperature (°C) | -55/+100 | -55/+100 | -55/+100 | -55/+100 | -55/+100 |
| Soldering Profile | 235°C peak 15 seconds, 185° for 90 seconds | | | | |

Solder Adherence per MIL-STD-202E, Method 208C

| OPERATING CHARACTERISTICS ($T_A=25^\circ\text{C}$) | | Red -3001 | AlGaAs Red -3121 | Green -3301 | Orange -3211 | Yellow -3401 |
|--|---------|---------------------|----------------------------|-----------------------|------------------------|------------------------|
| Luminous Intensity (mcd) $I_F=10\text{mA}$ | Min. | 4 | 10 | 4 | 6.3 | 4 |
| | Typical | 10 | 20 | 10 | | 7 |
| Peak Wavelength (nm) λ_{Peak} | Typical | 630 | 660 | 565 | 610 | 585 |
| Viewing Angle ($2\Theta_{1/2}$) | Typical | 120° | 120° | 120° | 120° | 120° |
| Forward Voltage (V) $I_F=20\text{mA}$ * $I_F=10\text{mA}$ | Typical | 2 | 1.75* | 2.1 | 2* | 2.1 |
| | Max. | 2.8 | 2.6* | 2.8 | 2.6* | 2.8 |
| Reverse Voltage (V), $I_R=10\mu\text{A}$ | Min. | 5 | 5 | 5 | 5 | 5 |

$\Theta_{1/2}$ is the off axis angle at which the luminous intensity is half the axial luminous intensity

